

MINI DESIGN
MAXI PERFORMANCE



THE NEW COMPACT CARTRIDGE

The **VT23** thermostatic cartridge is the smallest in our range. It is a concentration of expertise that offers high regulation performances.

- / Recommended for all slim sanitary faucets
- / Made from high quality polymer that resists scale build-up
- / Used in mixing valves for temperature limitation
- / Offers long life product efficiency

The VT23 is the unique mini cartridge that is compatible with all the international standards.

TEMPERATURE UNDER CONTROL



The **VT23** ensures a stable & accurate mixed outlet water temperature:

- / Water flow shutdown upon cold water supply failure
- / Tailored for disinfection at 70°C (158°F)

APPLICATIONS



Shower & mixing valve

QUALITY & CERTIFICATIONS

100% quality control : Each cartridge is individually checked for stability, flow, operating torque, leakage and anti-scald function

Solution for international standards

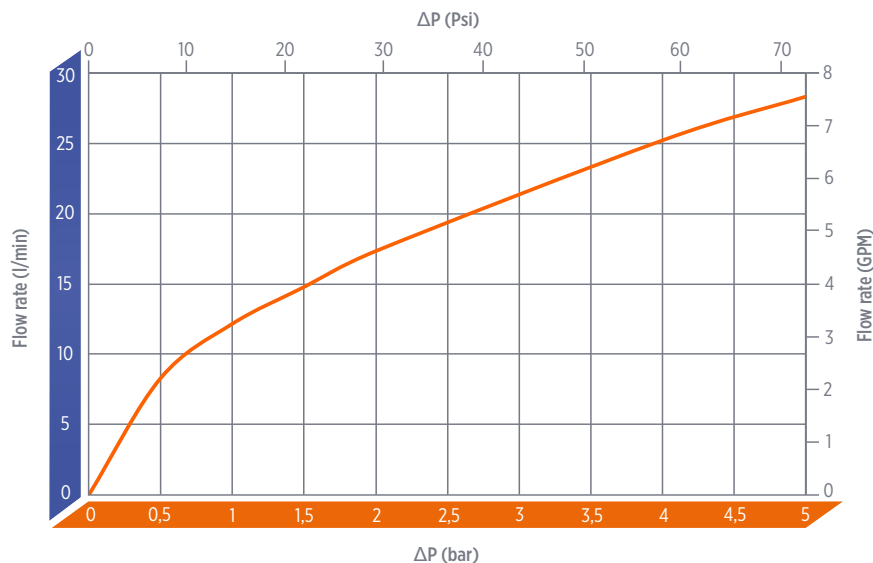
Materials certified for drinking water requirements

The compliance of the mixing valve with the standards does not only depend on the cartridge but also on the construction of the valve body and other devices.

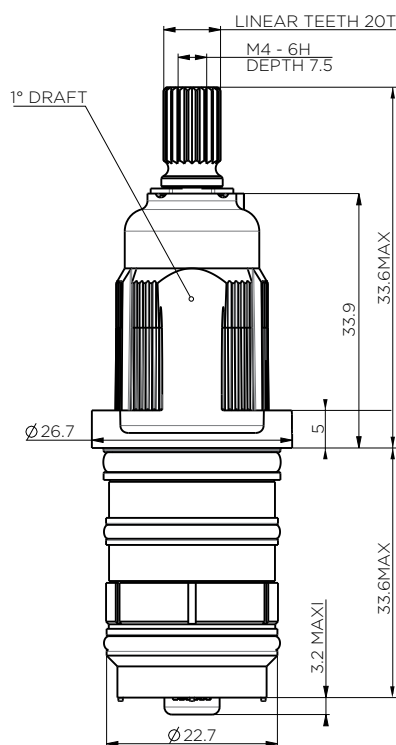
Flow rate measured in a Vernet valve body at mid-temperature, free outlet.

Endurance validated in a Vernet valve body.

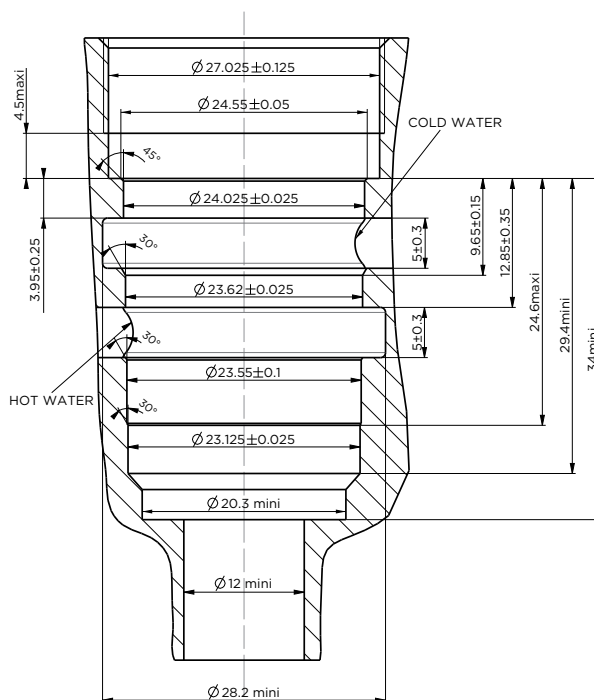
VT23 - FLOW RATE



VT23 DIMENSIONS (in mm)



VT23 HOUSING RECOMMENDATION (in mm)



Technical drawings are available on request